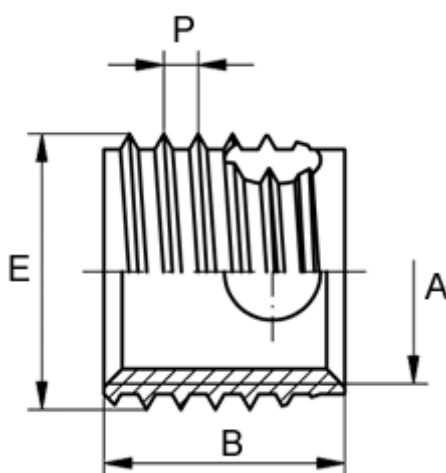


Article number: 12347000100110

Description: KLEE-coil 347 000 100.110  
M 10 Hardened/zinc-plated Blue

## Measures

---



Female thread A	= M10
Length B	= 10
Male thread E	= 12.0
Min hole depth blind hole	= 13
Pre-drilled max	= 11.5
Pre-drilled min	= 11.2
Thread pitch P	= 1.50
Type	= 347 000 100 ...